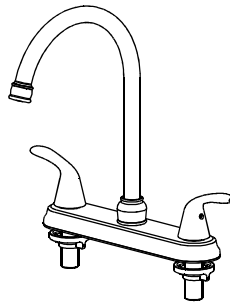


COMPONENT INSTRUCTION

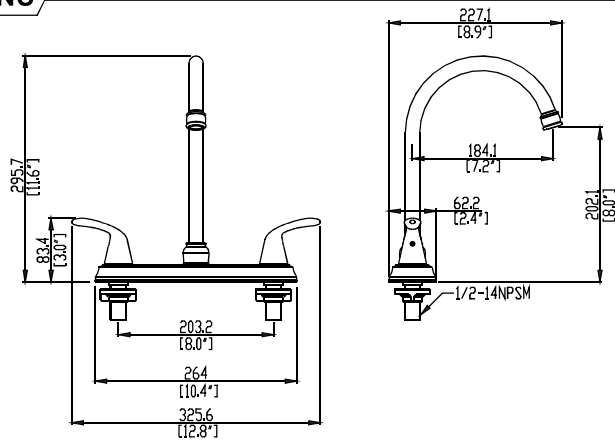
# PRODUCT COMPONENT INSTRUCTION

T20022FA

8" center kitchen faucet



## DIMENSIONS



■ For Reference only (unit = mm[inch])

## FAUCET MAINTENANCE

Please read the followings before installing and usage.

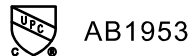
### 1 Description

- Zinc handles
- SS deck plate
- Brass tube 360° swing angle
- Washerless Cartridges
- Flow rate 1.8 GPM

### 2 Technique Parameter

Parameter Market	Water Pressure	Water Temperature
ASME A112.18.1/ CSA B125.1	20-80PSI	10-65°C

### 3 Certificate



### 4 Surface maintenance

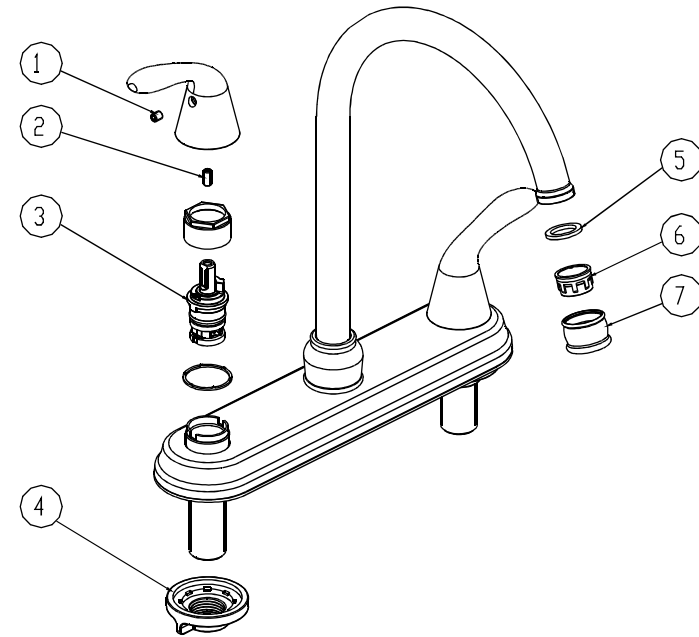
Remove any surface dirt and film using clean water and cotton cloth.

Spray cleaner such as mild liquid detergents, clear liquid glass cleaner, non-acidic and fully dissolved powder cleaners or non-abrasive liquid polishers on the rag to clean the faucet surface.

Once clean, rinse faucet again with clear water to thoroughly remove cleaner and dry with soft cotton cloth.

## EXPLODED DRAWING

Please read the followings before installing and usage.



NO.	Part No	Description	Qty
01	CTST0117	SCREW	2
02	CTST0151	SCREW	2
03	ATBA0125	CARTRIDGE	2
04	CTNP0057	NUT	2
05	CTWR0021	WASHER	1
06	ATBX0088	AERATOR	1
07	CTXB0086	AERATOR COVER	1



Attn. : Product Department  
11100 Dana Circle Cypress, CA 90630  
Tel: (714) 373-2788 / Fax: (714) 373-2791

■ Notes: For reference only, We reserve the right to make changes without any notice.